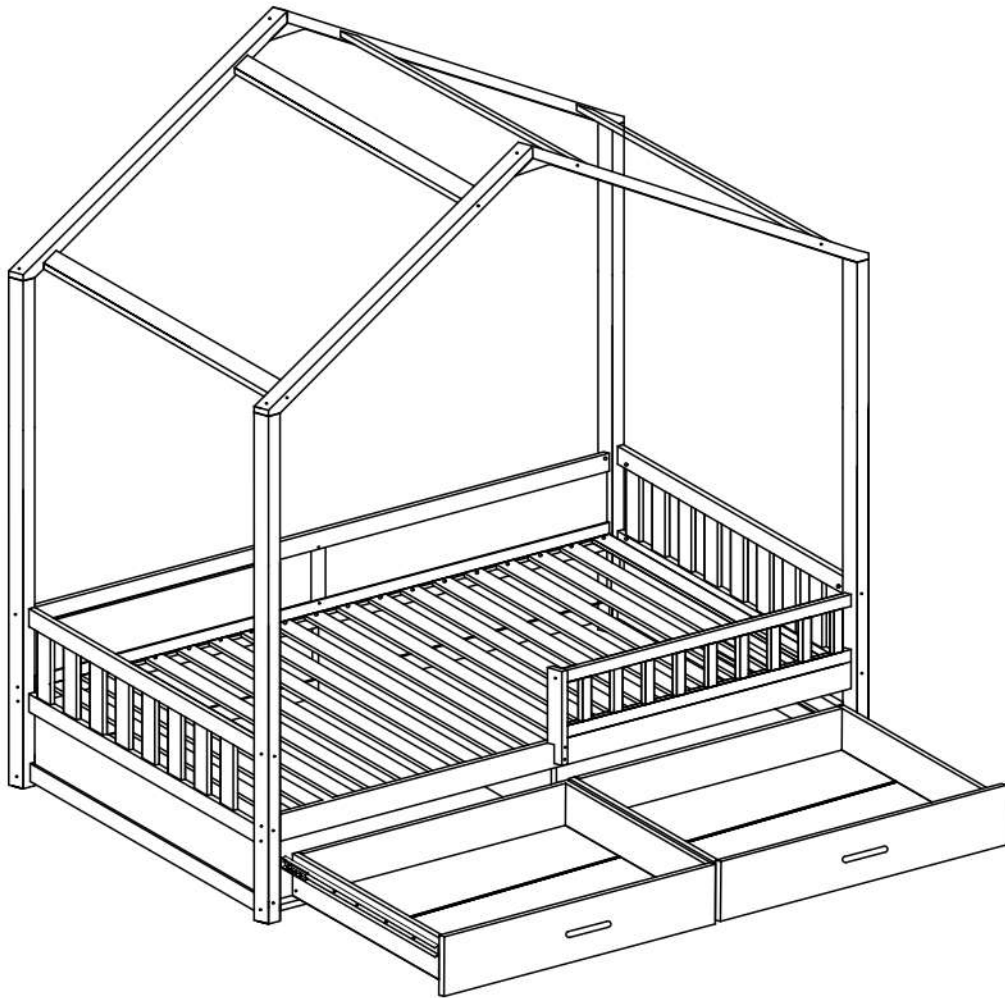





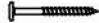

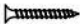

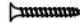
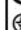













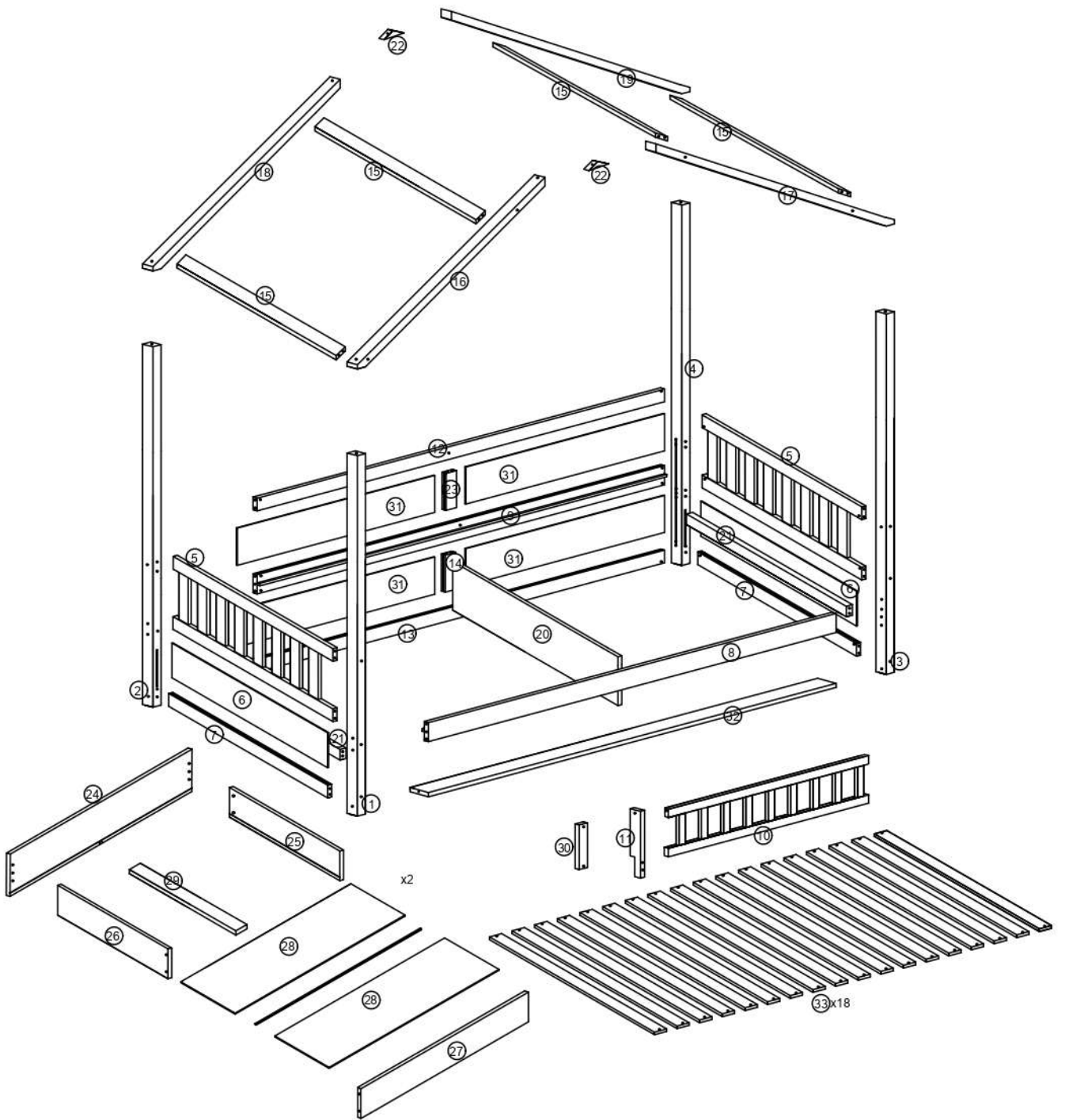


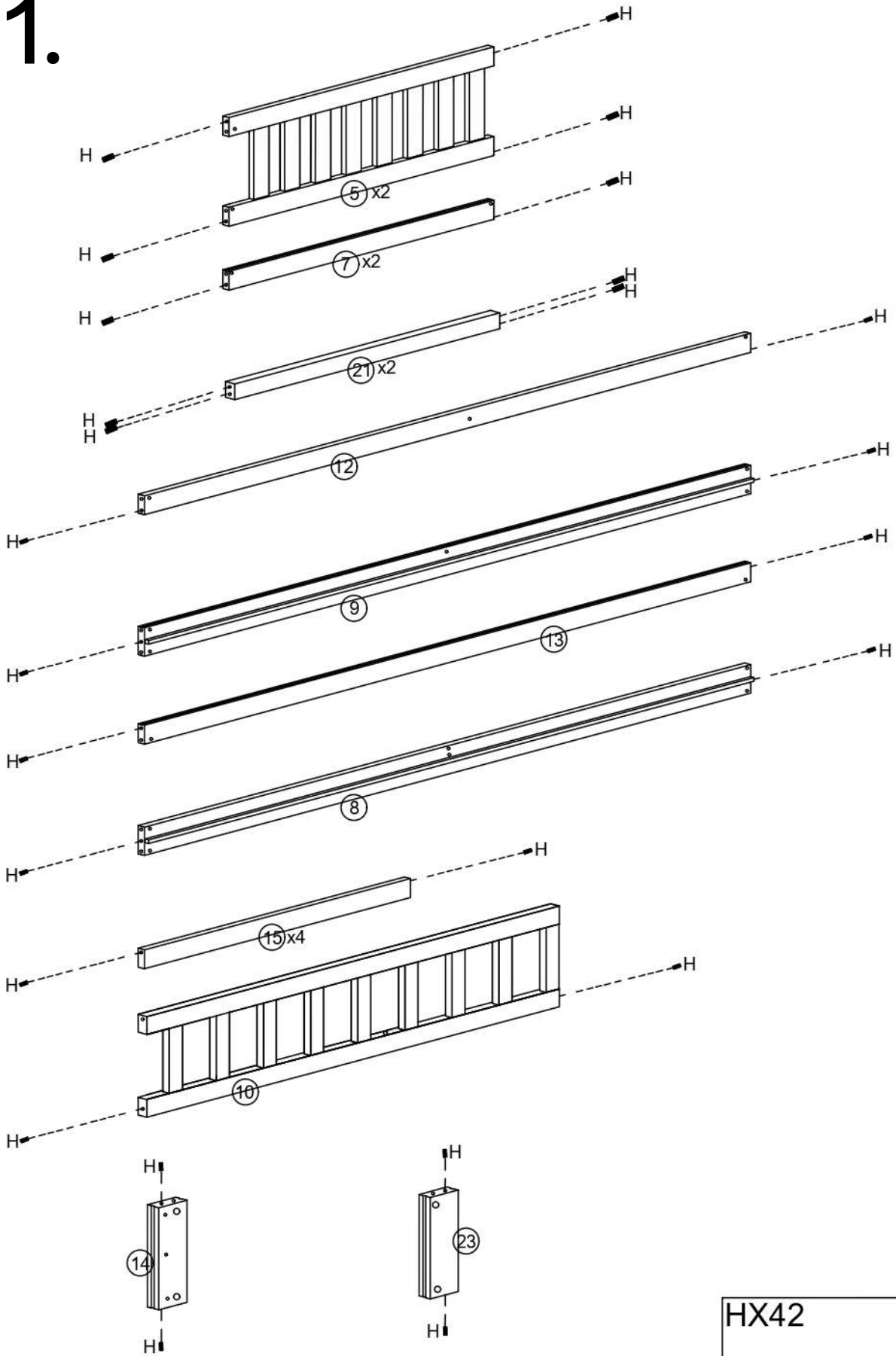
BIANKA



| | | | |
|--|---|---|---|
| AX32   M6x90mm | BX3  $\varnothing 8\text{mm}$ | CX32  M6 | D12   M6x70mm |
| EX8   $\varnothing 4 \times 40\text{mm}$ | FX41   $\varnothing 4 \times 30\text{mm}$ | GX32   $\varnothing 3 \times 16\text{mm}$ | HX55  $\varnothing 8 \times 30\text{mm}$ |
| IX16  $\varnothing 7 \times 34\text{mm}$ | J X16  $\varnothing 15 \times 9.5\text{mm}$ | KX2  | LX4  |
| MX4   M6x30mm | NX6   M6 | OX2   M6x40mm | PX54  $\varnothing 16\text{mm}$ |



1.

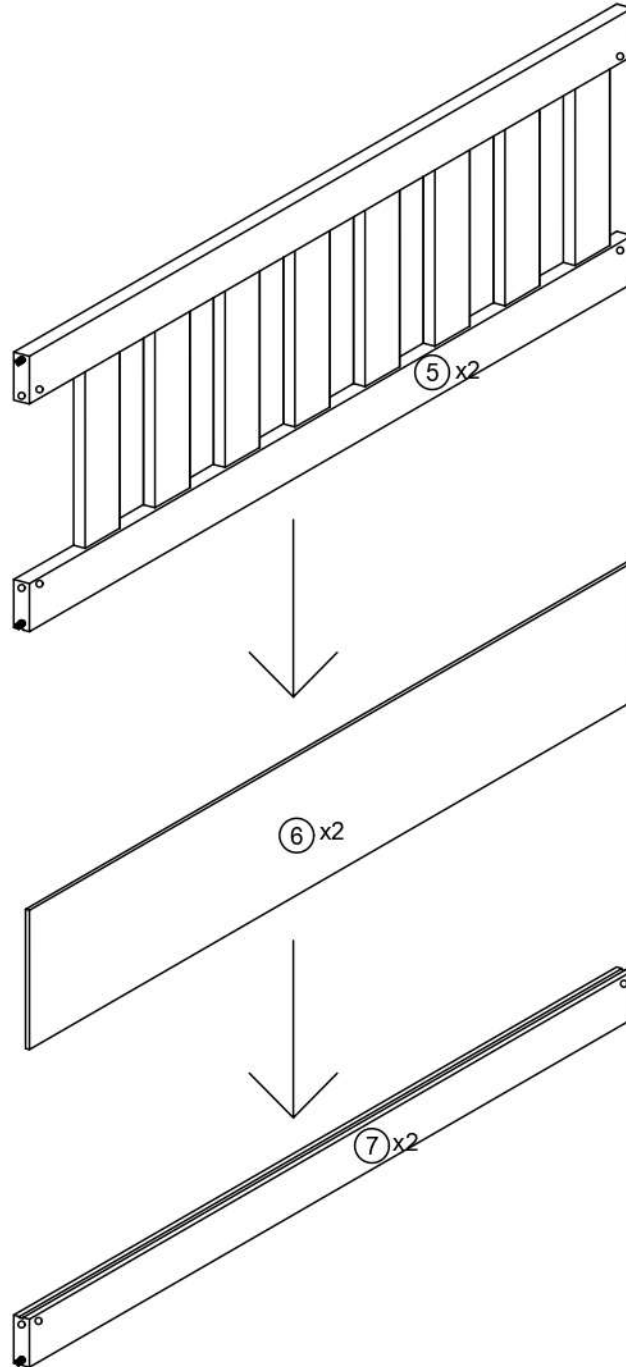


HX42

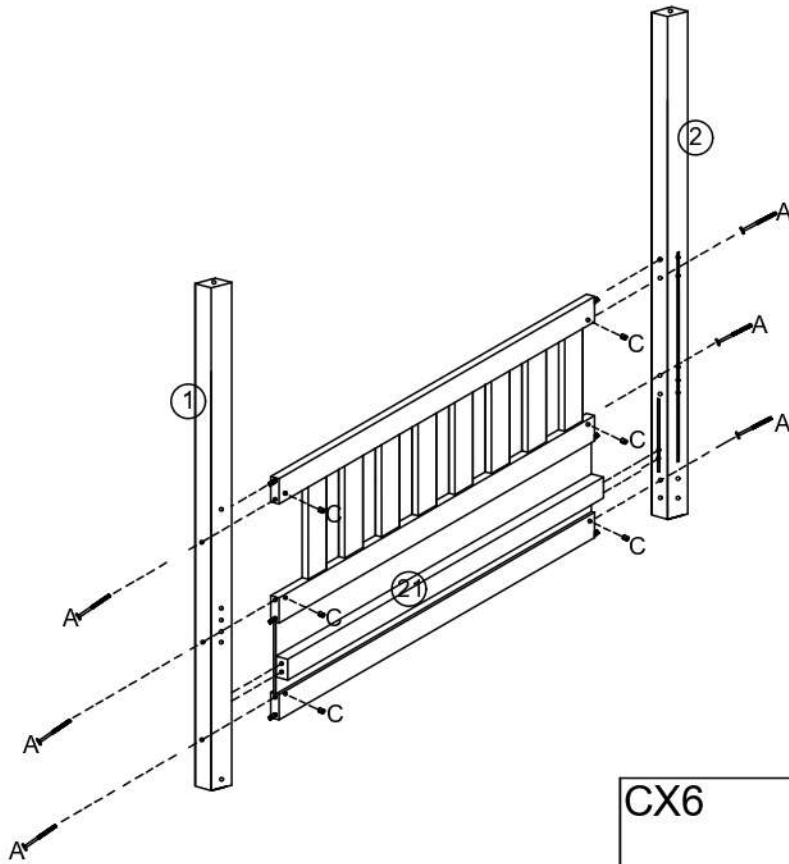


ø8x30mm

2.



3.



CX6



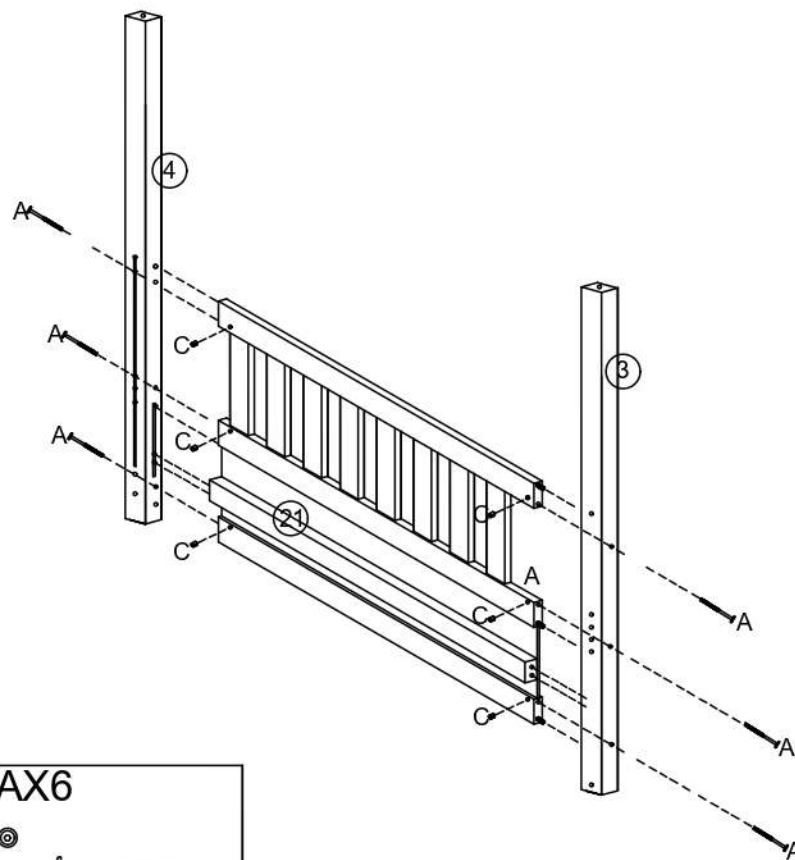
M6

AX6



M6x90mm

4.



CX6



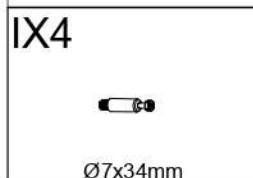
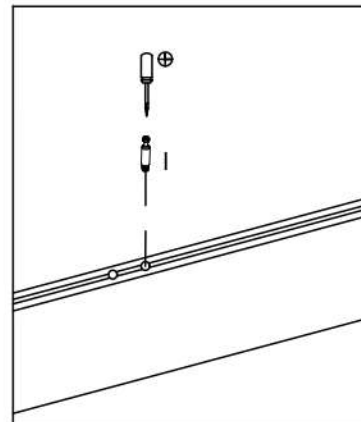
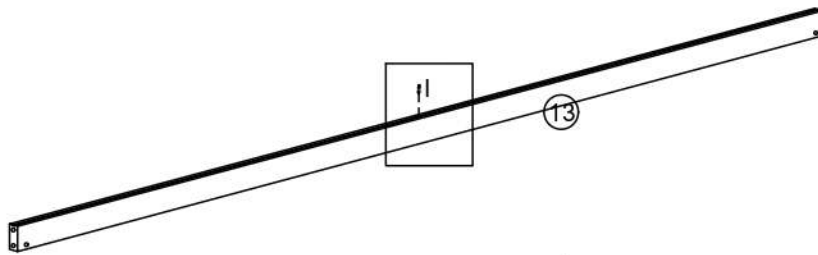
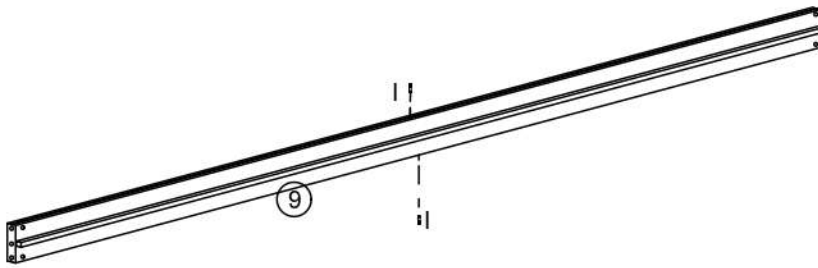
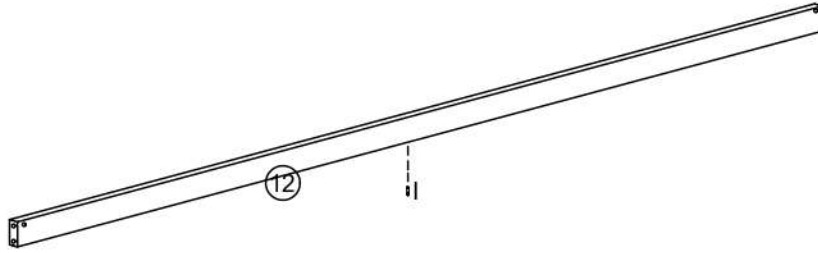
M6

AX6

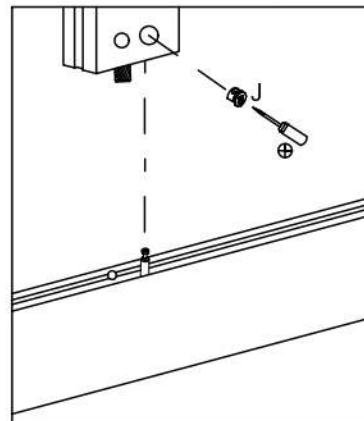
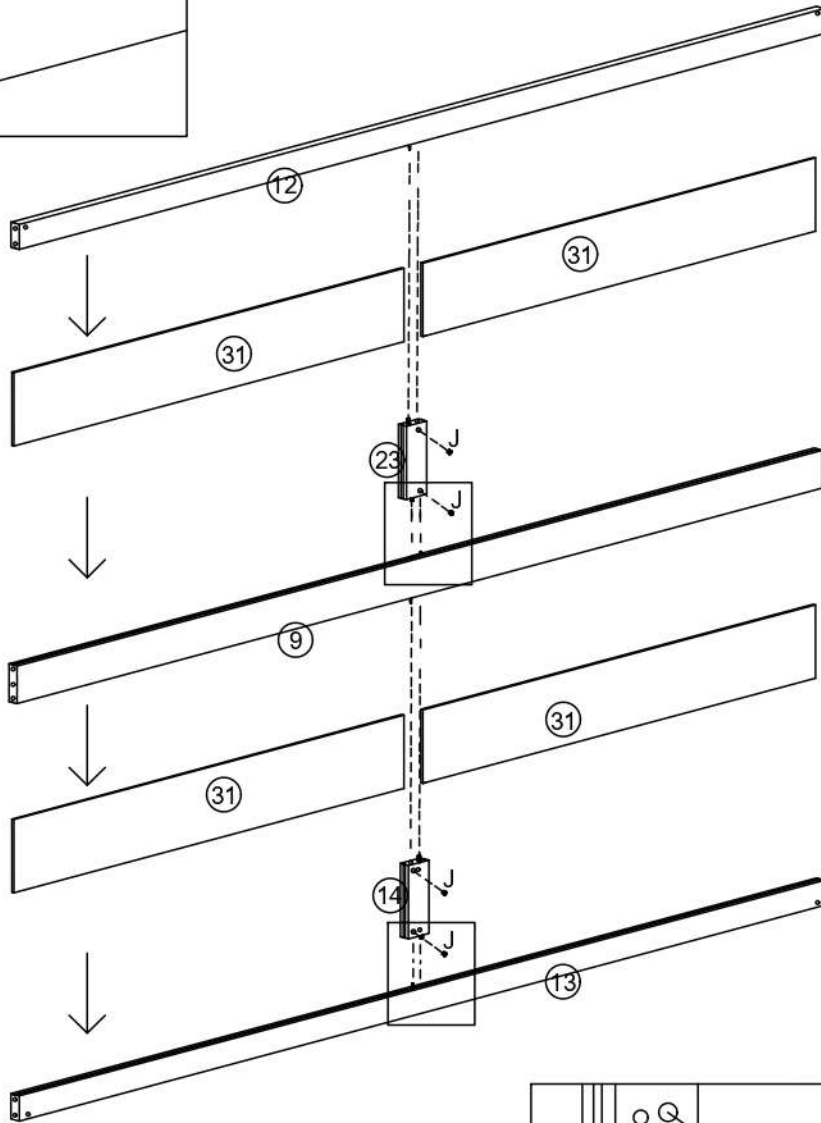
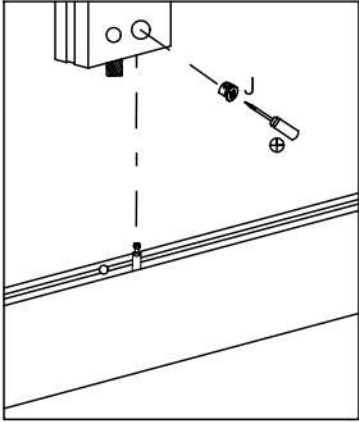


M6x90mm

5.



6.

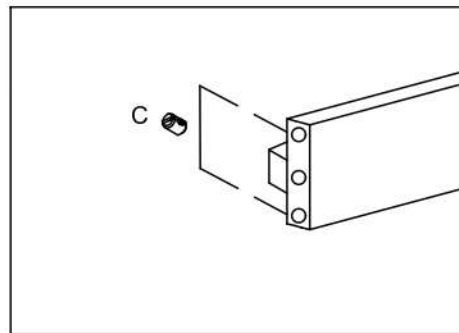
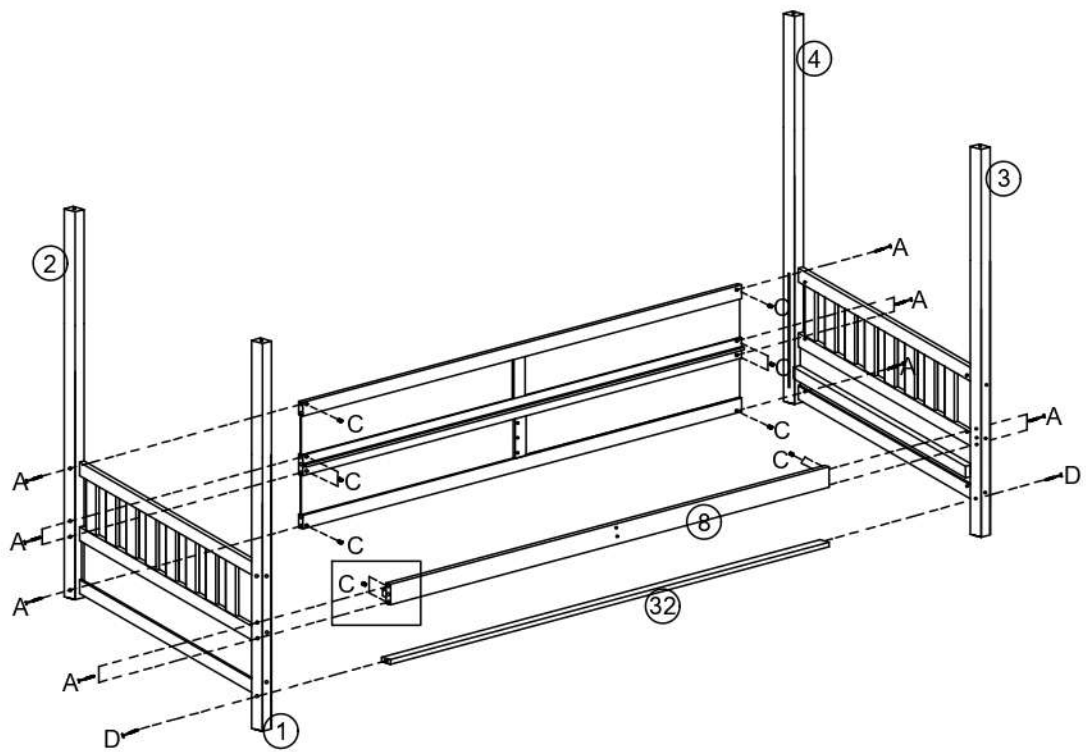


J X4



Ø15x9.5mm

7.



AX12



M6x90mm

CX12



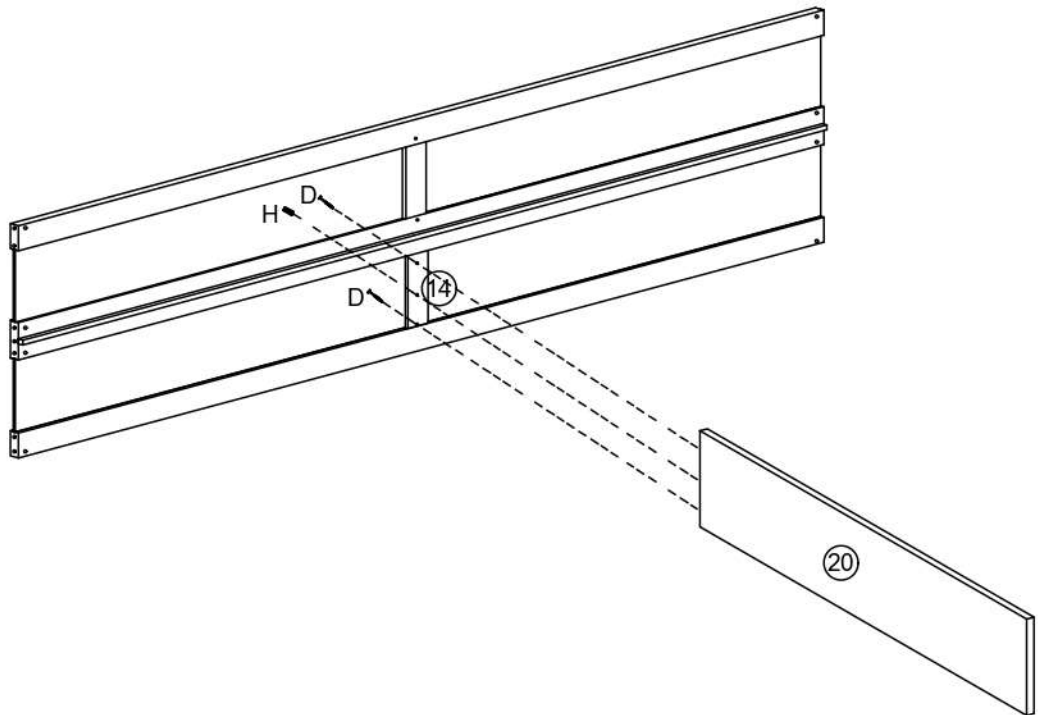
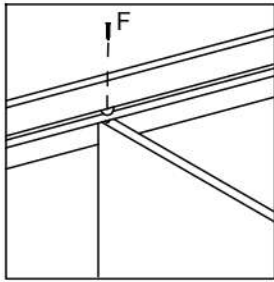
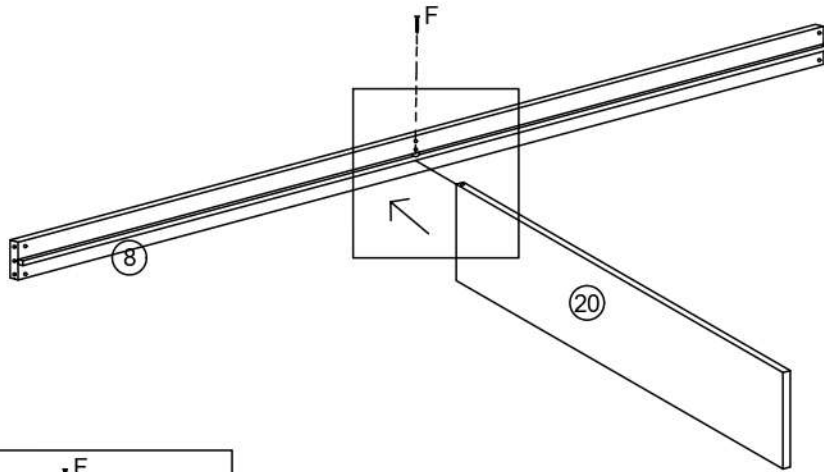
M6




DX2



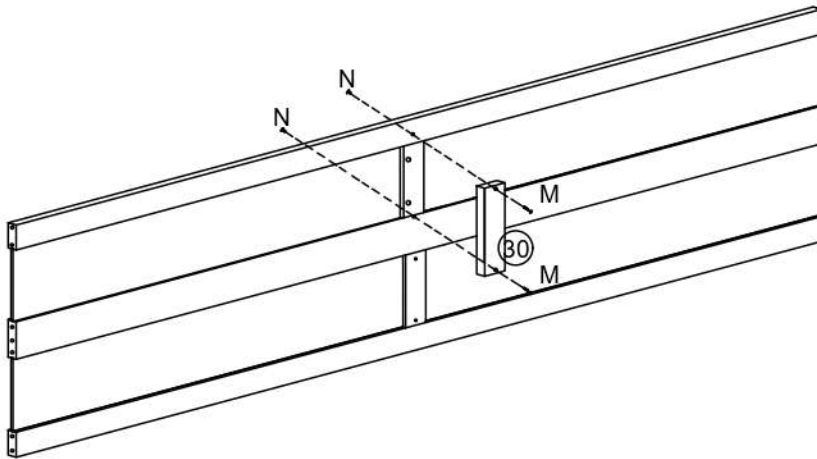
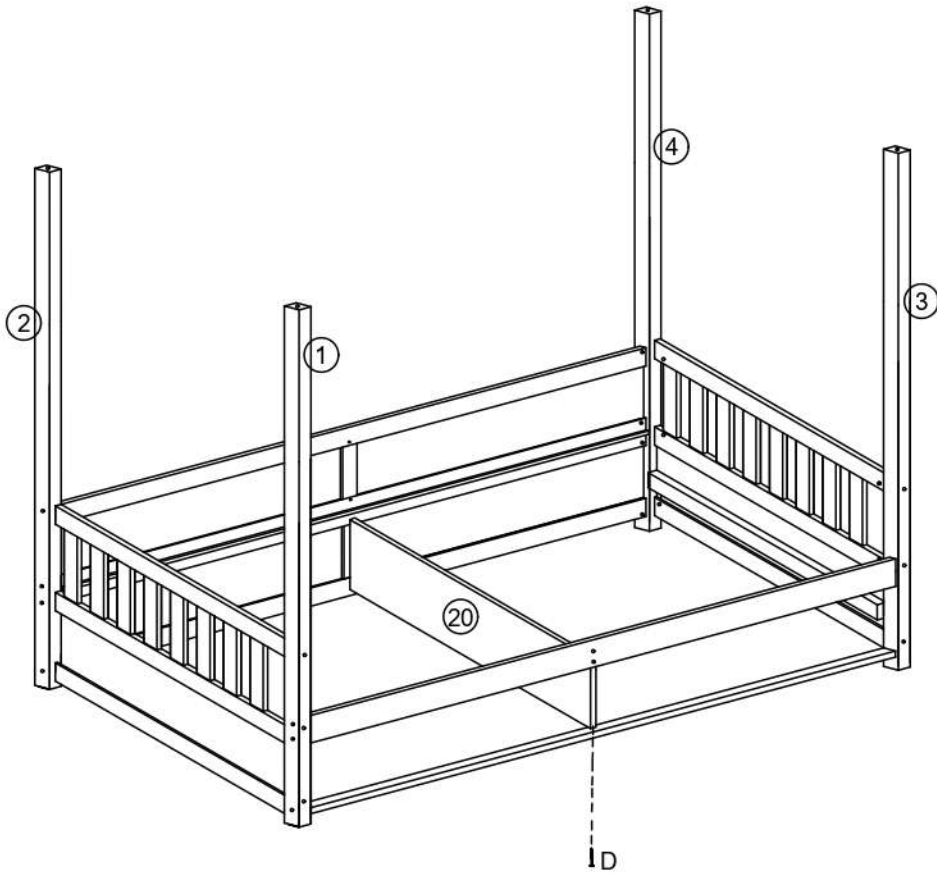
M6x70mm

8.



| DX2 | FX1 | HX1 |
|---|---|---|
|  |  |  |
| M6x70mm | Ø4x30mm | Ø8x30mm |

9.



DX1



M6x70mm

MX2



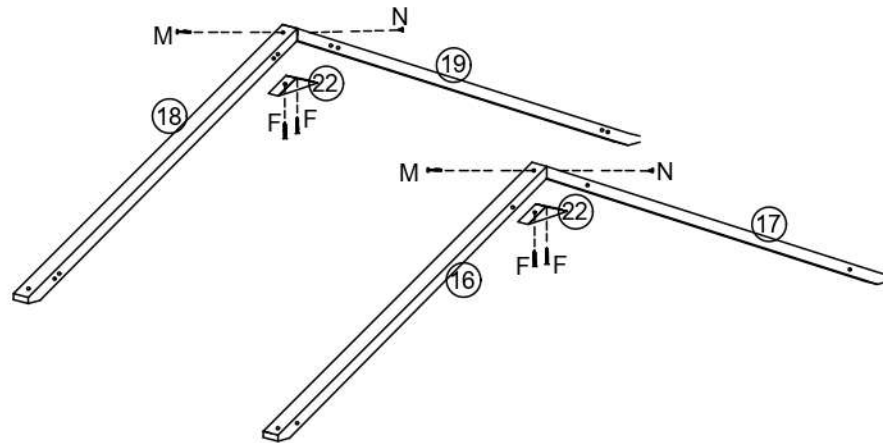
M6x30mm

NX2



M6

10.



FX4



Ø4x30mm

MX2



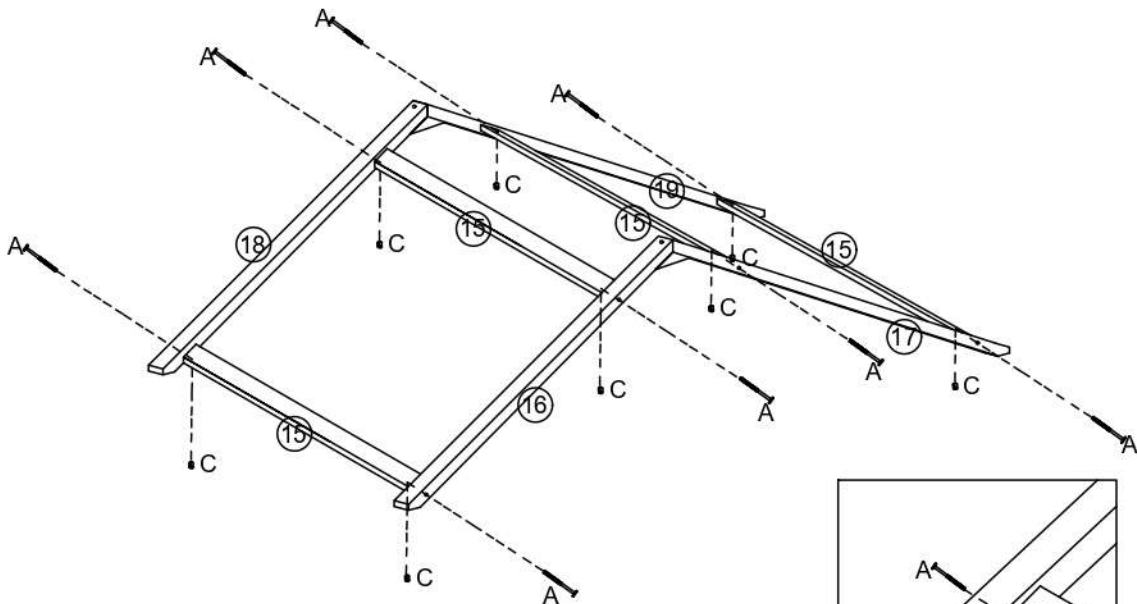
M6x30mm

NX2



M6

11.



AX8



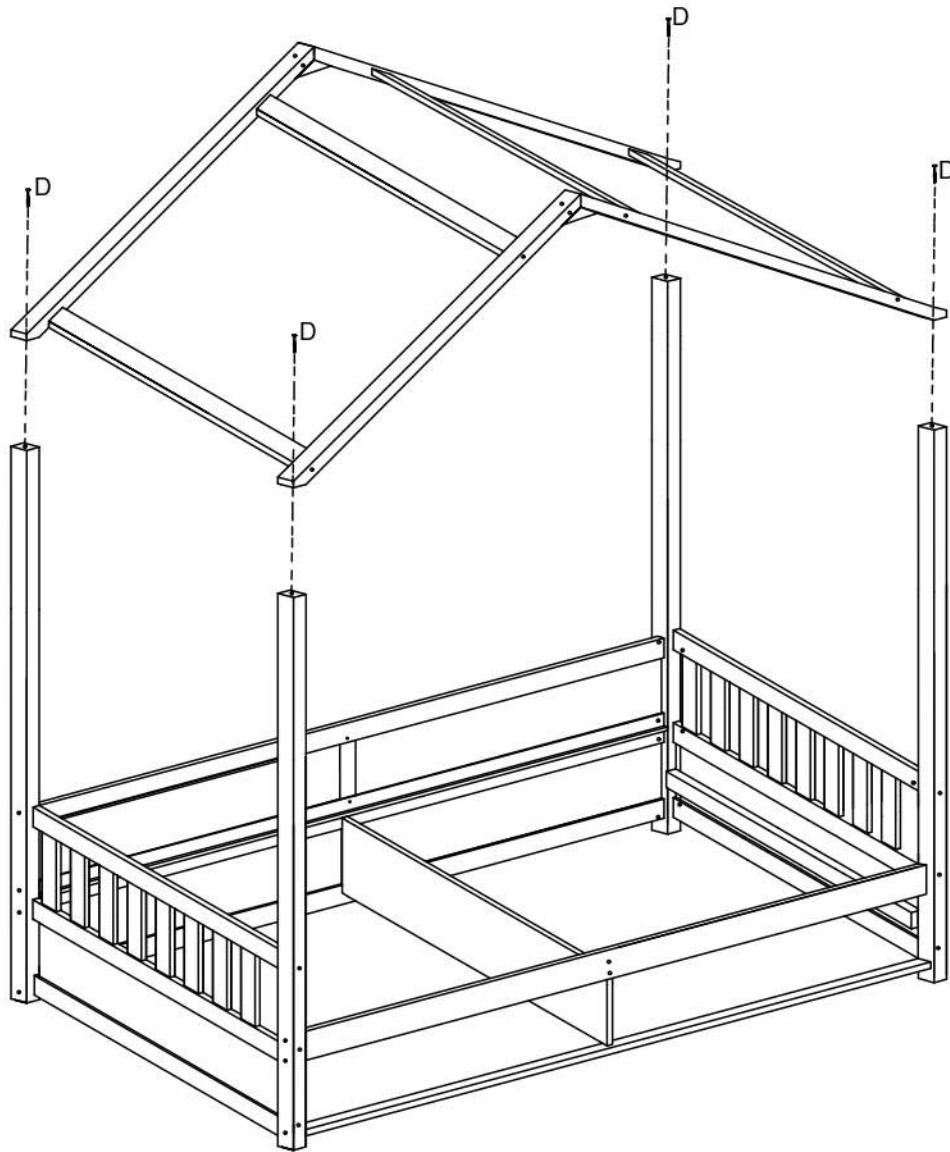
M6x90mm

CX8

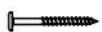


M6

12.

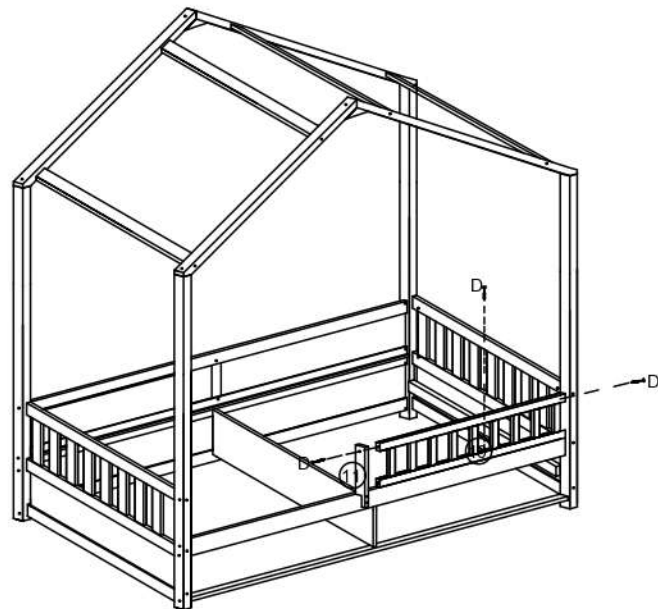


DX4




M6x70mm

13.

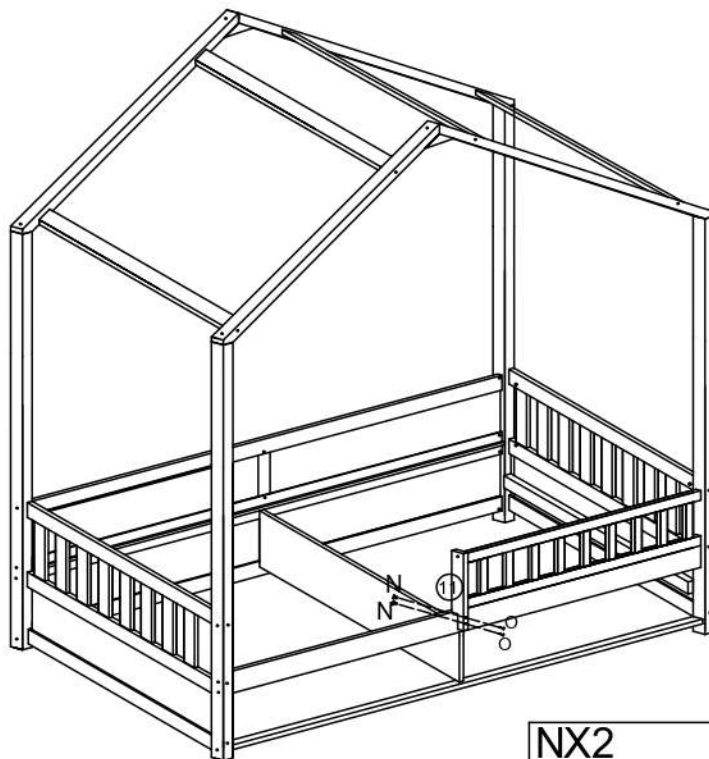


DX3

⊙ 

M6x70mm

14.




NX2

⊙ 

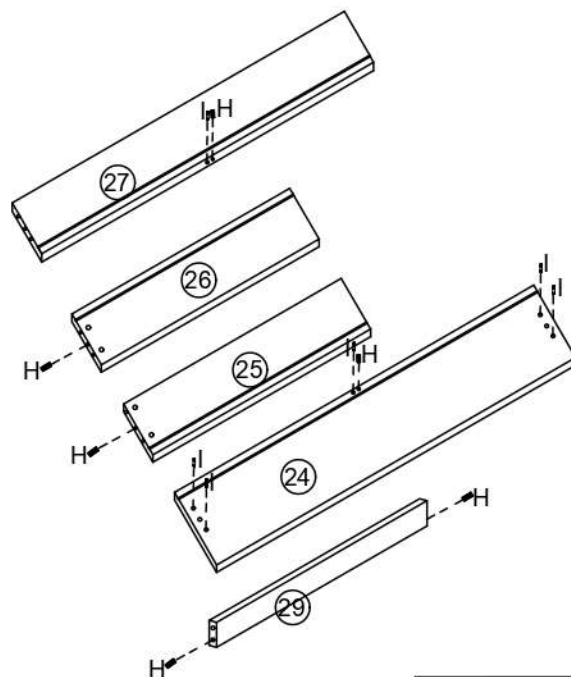
M6

OX2



⊙ 

M6x40mm

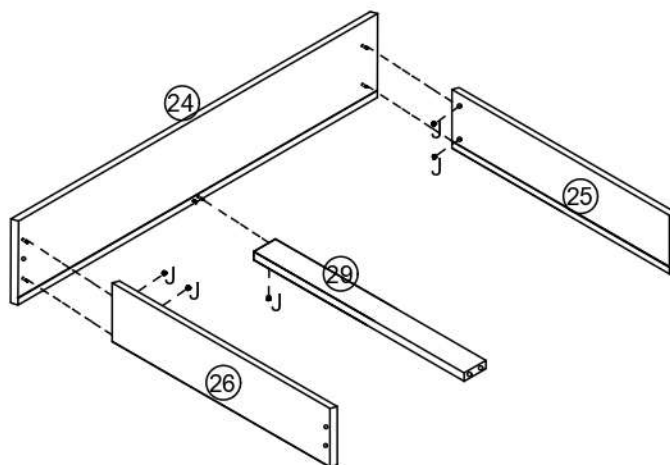
15.




X2

| | |
|---|--|
| HX12  ø8x30mm | IX12  ø7x34mm |
|---|--|

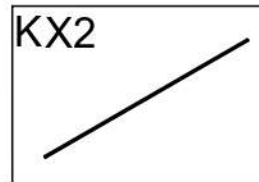
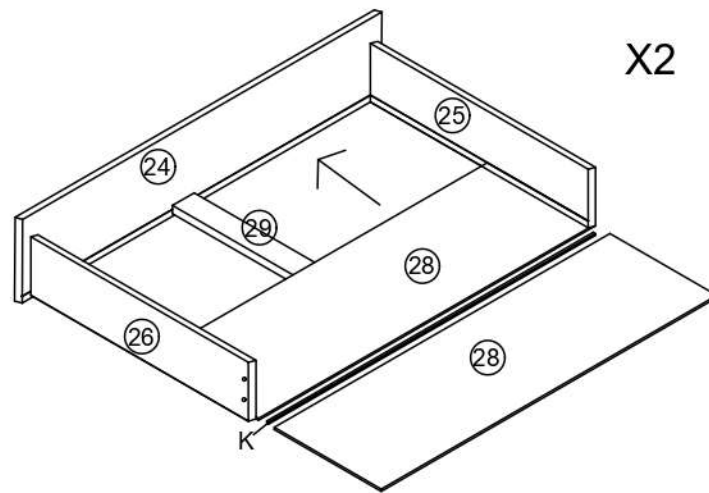
16.



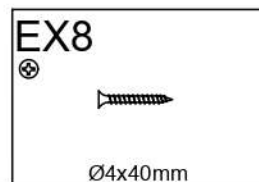
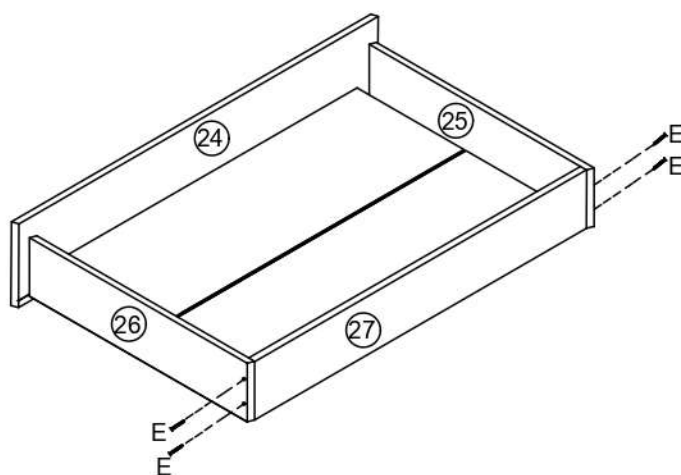
X2

| |
|--|
| JX10  ø15x9.5mm |
|--|

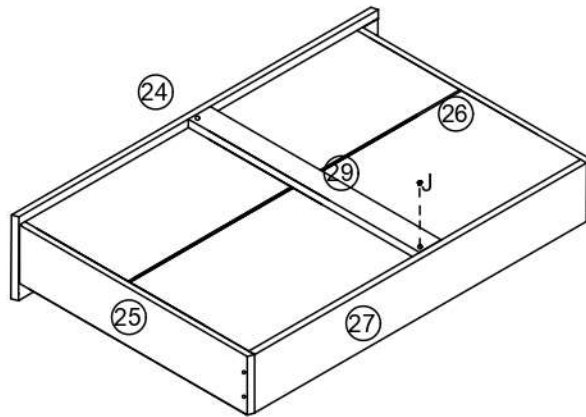
17.



18.



19.



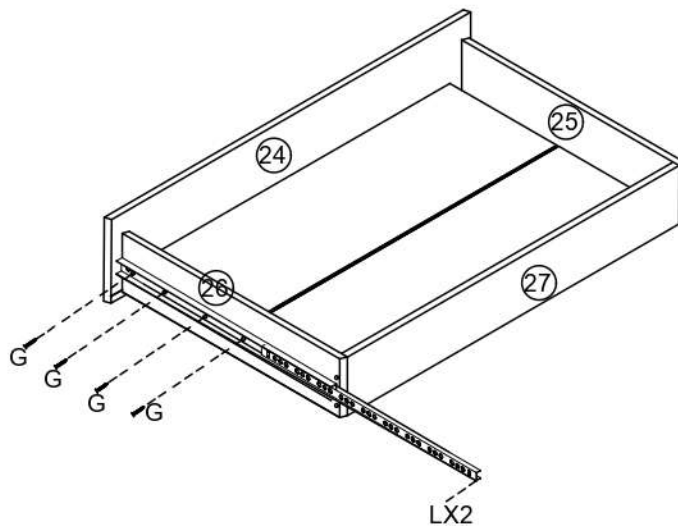
X2

JX2



Ø15x9.5mm

20



X2

LX4

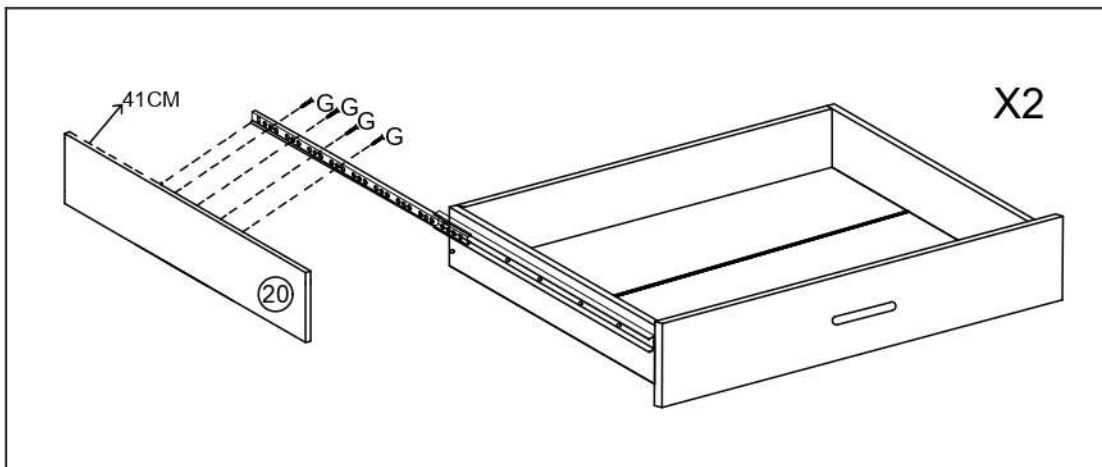
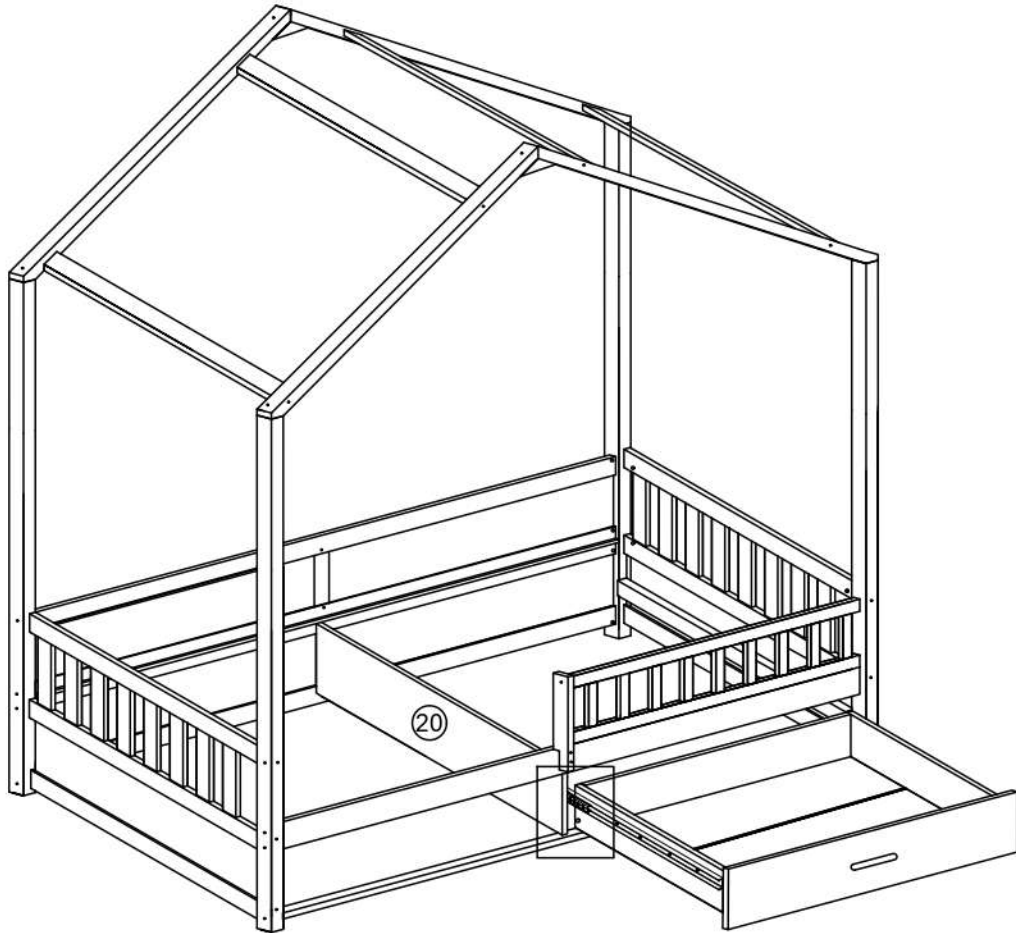


GX16



Ø3x16mm

21.

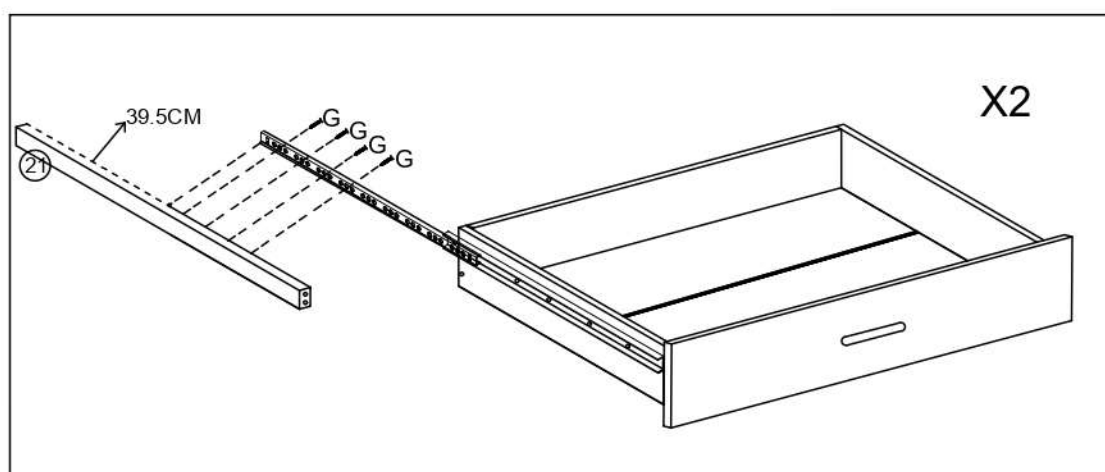
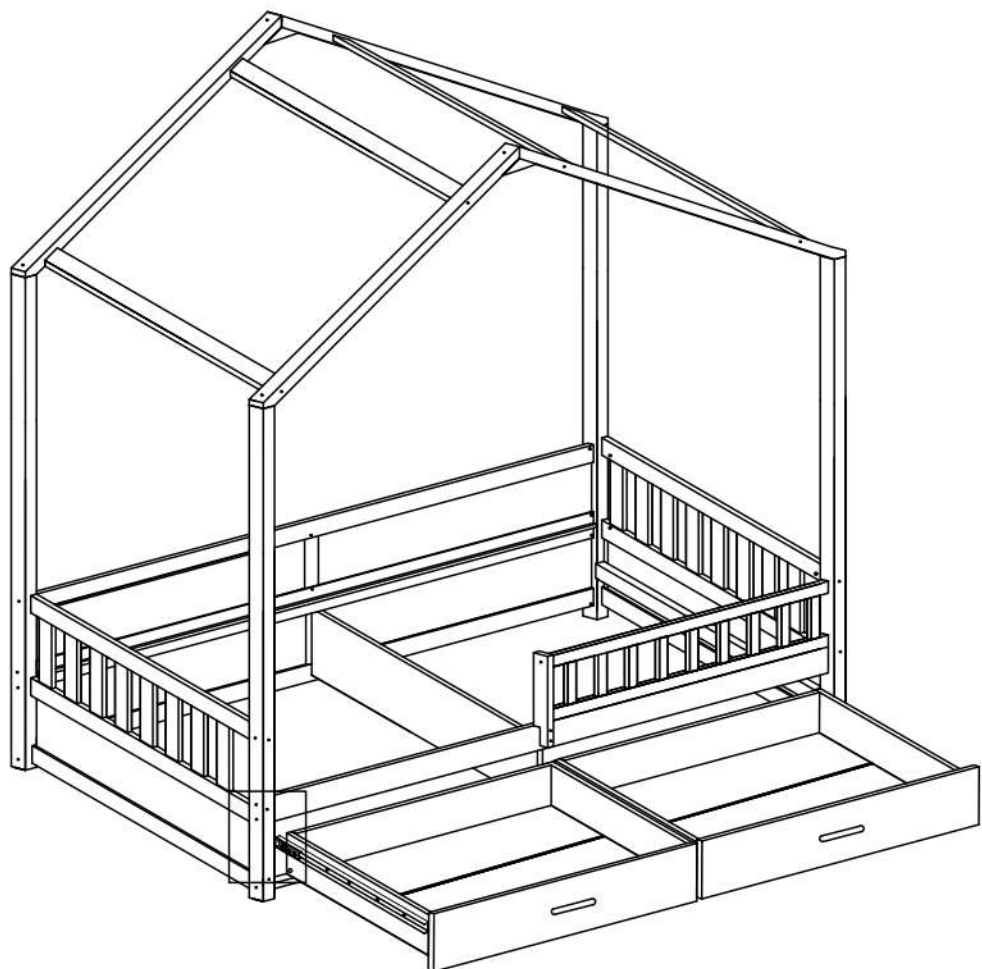


GX8



Ø3x16mm

22.

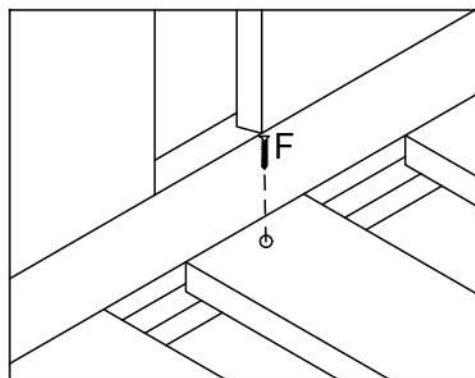
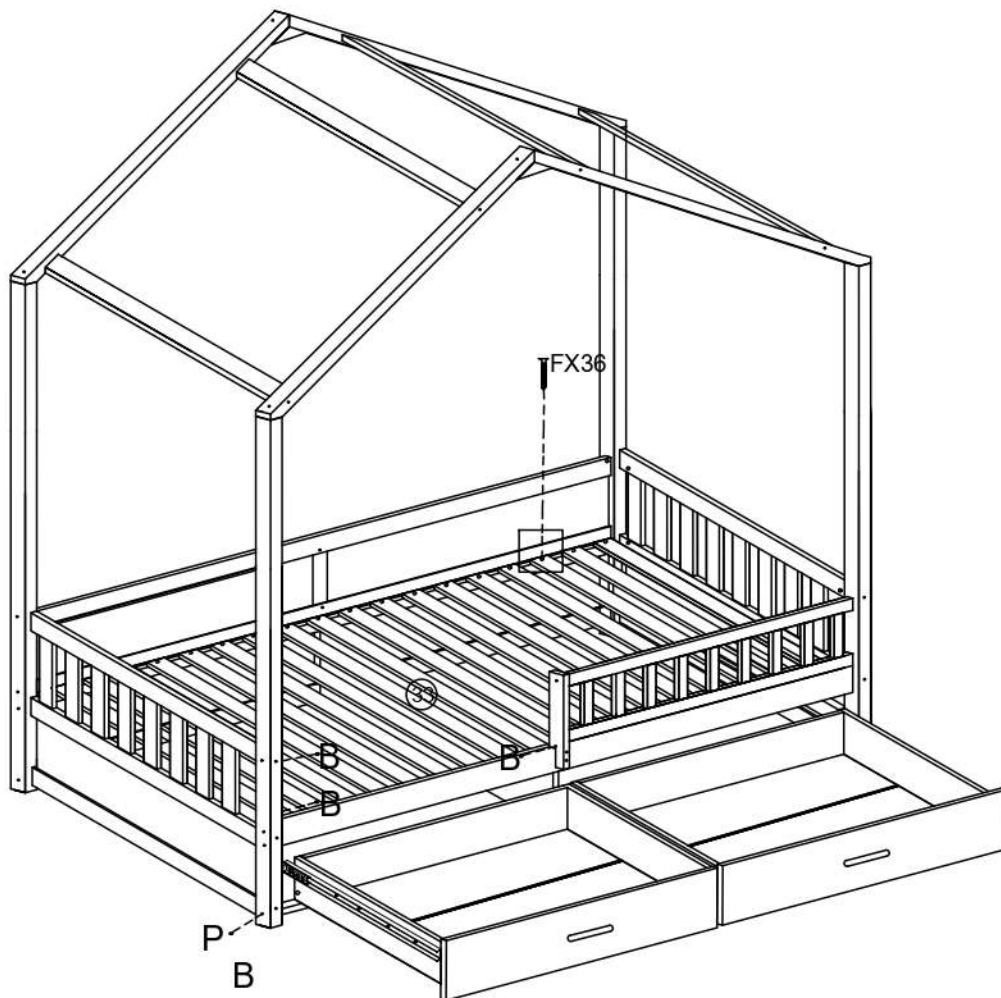


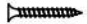


GX8



Ø3x16mm

23.



| | | |
|--|---|---|
| FX36 ⊕  Ø4x30mm | PX35  Ø16mm | BX3  Ø8mm |
|--|---|---|